



# AT-LNA-0026-2304C

10MHz-26.5GHz Low Noise Amplifier

## 10MHz-26.5GHz Broadband Low Noise Amplifier

2022-3-22

### Product Overview

AT-LNA-0026-2304C broadband low noise amplifier from 10MHz to 26.5GHz. The NF is 4.5dB from 100MHz-26.5GHz. The DC power requirement is +5V/140mA. The module is with SMA Female.

AT Microwave can provide all kinds of coaxial low noise amplifiers, with frequency from 0.01-67GHz, gain from 20 to 60dB, Pout from +5 to +27dBm, and connectors from SMA to 1.85mm.

More information, please visit [www.atmicrowave.com](http://www.atmicrowave.com)



### Advantages

- ✓ Frequency: 10MHz-26.5GHz
- ✓ Small signal gain: 23dB
- ✓ Noise Figure 4.5dB
- ✓ Single Power Supply

### Application

- ✓ Broadband Communication
- ✓ Test Equipment
- ✓ ROF (RF Over Fiber)
- ✓ Radar System

### Key Features

Parameter	Min	Typical	Max
Frequency		10MHz-26.5GHz	
Gain	23dB	25dB	
Gain Flatness		+/-2dB	
NF(1-26.5GHz)		4dB	6.0dB
P1dB		+15dBm	
Psat		+16dBm	
Drain Supply		+5V	+8V
Current		140 mA	210mA
Input Return Loss	-5	-10 dB	
Output Return Loss	-5	-10 dB	
Spec Temp		25C	





# AT-LNA-0026-2304C

10MHz-26.5GHz Low Noise Amplifier

## Mechanical Information

Item	Description
Input Port	SMA Female
Output Port	SMA Female
Case Material	Copper
Package Sealing	Epoxy Sealed
Finish	Gold Plated
Weight	50g
Size:	30x30x14 mm

## Absolute Maximum Ratings Table

Parameter	Value
Drain Supply	+13V
RF Input Power	+15dBm
Operating Temperature(note)	-20 to +70C
Storage Temperature	-65 to +150C

Note: -40 to +85C is available according to request.

## Notes:

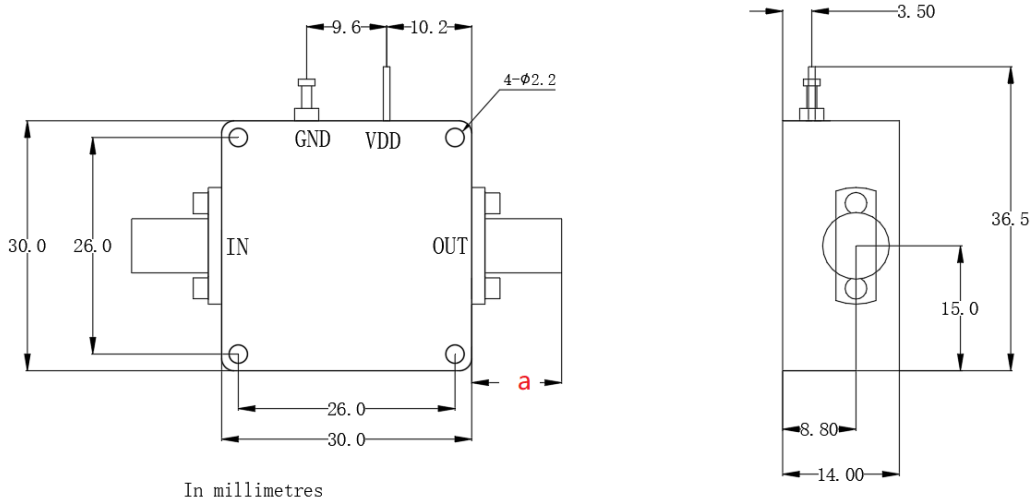
1. Datasheet may be changed according to update of MMIC, Raw materials , process, and so on.
2. This data is only for reference, not for guaranteed specifications.
3. Please contact AT Microwave team to make sure you have the most current data.

## Part Number Selection Guide

Item	Description
PN	Stand Module with DC Power Supply
<b>PN-LCBT</b>	<b>L</b> ow Cost, <b>C</b> ompact <b>B</b> ench- <b>T</b> op, +220V Supply with AC/DC Adapter



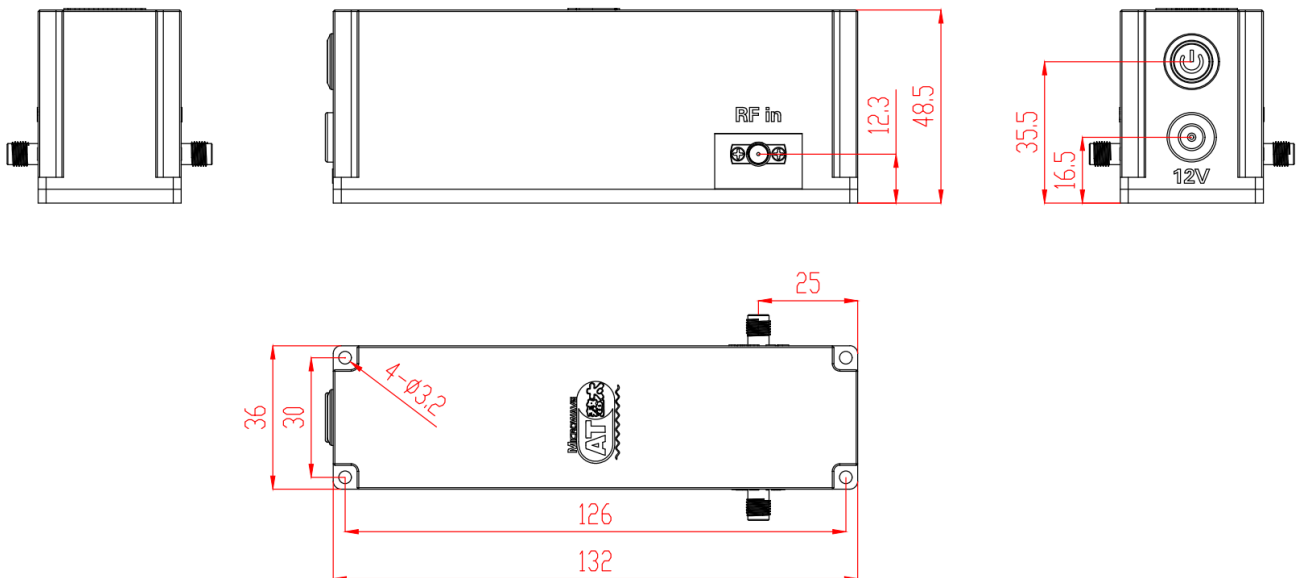
### Dimension: (unit in mm)



	<26.5GHz	<40GHz	<50GHz	<67GHz
Connector	SMA	2.92mm	2.4mm	1.85mm
Length of a	9.4mm	9.5mm	10.8mm	11.3mm

Note: Female Default. Contact with us for other types.

Heatsink required if case temp over 50C



PN-LCBT Outline

